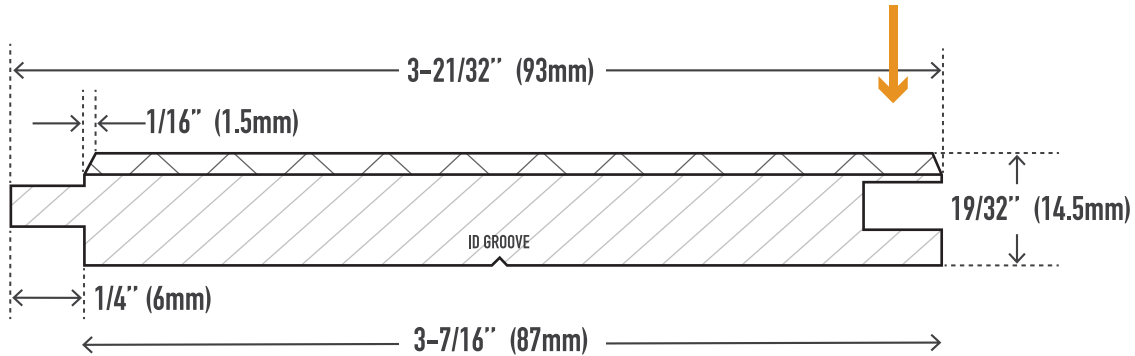


MEET YOUR NEW  
SUSTAINABLE  
FUTURE

THE  
VALE

Visscher  
Lumber

1x4  
THE MICRO V  
VG WESTERN RED CEDAR VENEER



**PRODUCT NAME:**  
1X4 CLEAR VG/MG SF S1SV2E

**SPECIES:**  
100% WESTERN RED CEDAR

**NOMINAL THICKNESS:**  
1"

**NOMINAL WIDTH:**  
4"

**LENGTH:**  
8'-16' ODD & EVEN

**TRIM BACKS:**  
3'-5', 6' & 7' ODD & EVEN

**GREEN/KILN DRIED:**  
KILN DRIED

**FACE:**  
SOLID VENEER V/G OR M/G

**BACKING:**  
EDGE GLUED / FINGER JOINTED

**GRADE:**  
A OR BETTER (10-15% "B")

**FINISHED COVERAGE:**  
3-7/16" (87mm)

**PACKAGE SIZE:**  
VARIOUS

**HEIGHT:**  
7 BUNDLES

**WIDTH:**  
8 BUNDLES

**PIECES PER BUNDLE:**  
6

**END CAPS:**  
YES

**PAPER WRAP / BOX:**  
PAPER WRAP / CARDBOARD SIDES & TOP

**FACE TO BE PROTECTED:**  
SMOOTH FACE

## 100% WESTERN RED CEDAR

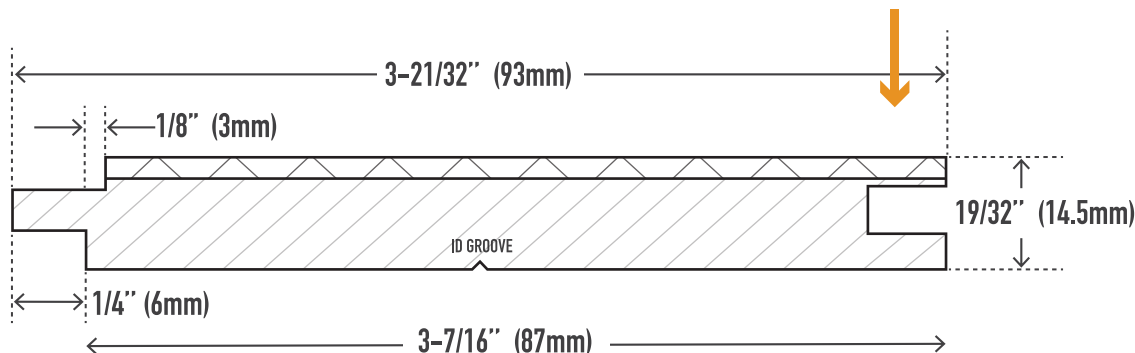
CONTAINS "THUJAPLICIN" A NATURAL FUNGICIDE AND BACTERIADE. NATIVE TO THE PACIFIC COAST OF NORTH AMERICA, THIS GIANT "ARBOR VITAE" OR "TREE OF LIFE" HAS BEEN REVERED BY COASTAL INDIGENOUS PEOPLE AS THE "LONG LIFE GIVER". WHEN YOU USE THIS PRODUCT YOU EXTEND THE LIFE OF THE FOREST FLOOR MORE THAN TEN TIMES.

MEET YOUR NEW  
SUSTAINABLE  
FUTURE

THE  
VALE

Visscher  
Lumber

1x4  
THE FINE LINE  
VG WESTERN RED CEDAR VENEER



**PRODUCT NAME:**

1X4 CLEAR VG/MG SF SQ. EDGE WITH 3mm GAP

**GREEN/KILN DRIED:**

KILN DRIED

**HEIGHT:**

7 BUNDLES

**SPECIES:**

100% WESTERN RED CEDAR

**FACE:**

SOLID VENEER V/G OR M/G

**WIDTH:**

8 BUNDLES

**NOMINAL THICKNESS:**

1"

**BACKING:**

EDGE GLUED / FINGER JOINTED

**PIECES PER BUNDLE:**

6

**NOMINAL WIDTH:**

4"

**GRADE:**

A OR BETTER (10-15% "B")

**END CAPS:**

YES

**LENGTH:**

8'-16' ODD & EVEN

**FINISHED COVERAGE:**

3-7/16" (87mm)

**PAPER WRAP / BOX:**

PAPER WRAP / CARDBOARD SIDES & TOP

**TRIM BACKS:**

3'-5', 6' & 7' ODD & EVEN

**PACKAGE SIZE:**

VARIOUS

**FACE TO BE PROTECTED:**

SMOOTH FACE

## 100% WESTERN RED CEDAR

CONTAINS "THUJAPLICIN" A NATURAL FUNGICIDE AND BACTERIADE. NATIVE TO THE PACIFIC COAST OF NORTH AMERICA, THIS GIANT "ARBOR VITAE" OR "TREE OF LIFE" HAS BEEN REVERED BY COASTAL INDIGENOUS PEOPLE AS THE "LONG LIFE GIVER". WHEN YOU USE THIS PRODUCT YOU EXTEND THE LIFE OF THE FOREST FLOOR MORE THAN TEN TIMES.